

Specifications

Protection Level: IP65; NEMA4X
 Lifespan: > 5 years.
 Interface: PS2, USB available.
 Supply Voltage: +5V DC +/-5%
 Operating temperature: -10C to +60C.
 Storage temperature: -20C to +70C.
 Dimensions: 110 mm x 83mm
 Dustproof, Water proof, Vandalism resistance
 Mounting type: Rear Mounting
 Key switch Technology: Silicone switching element
 Key switch lifetime: > 5 million of operations.
 Actuation Force/travel: 1N
 Mounting Rack: Aluminum alloy
 Lettering: laser engraved legends for excellent durability
 G.W.: 0.75 kg.
 Optional for Mechanical or Optical ball

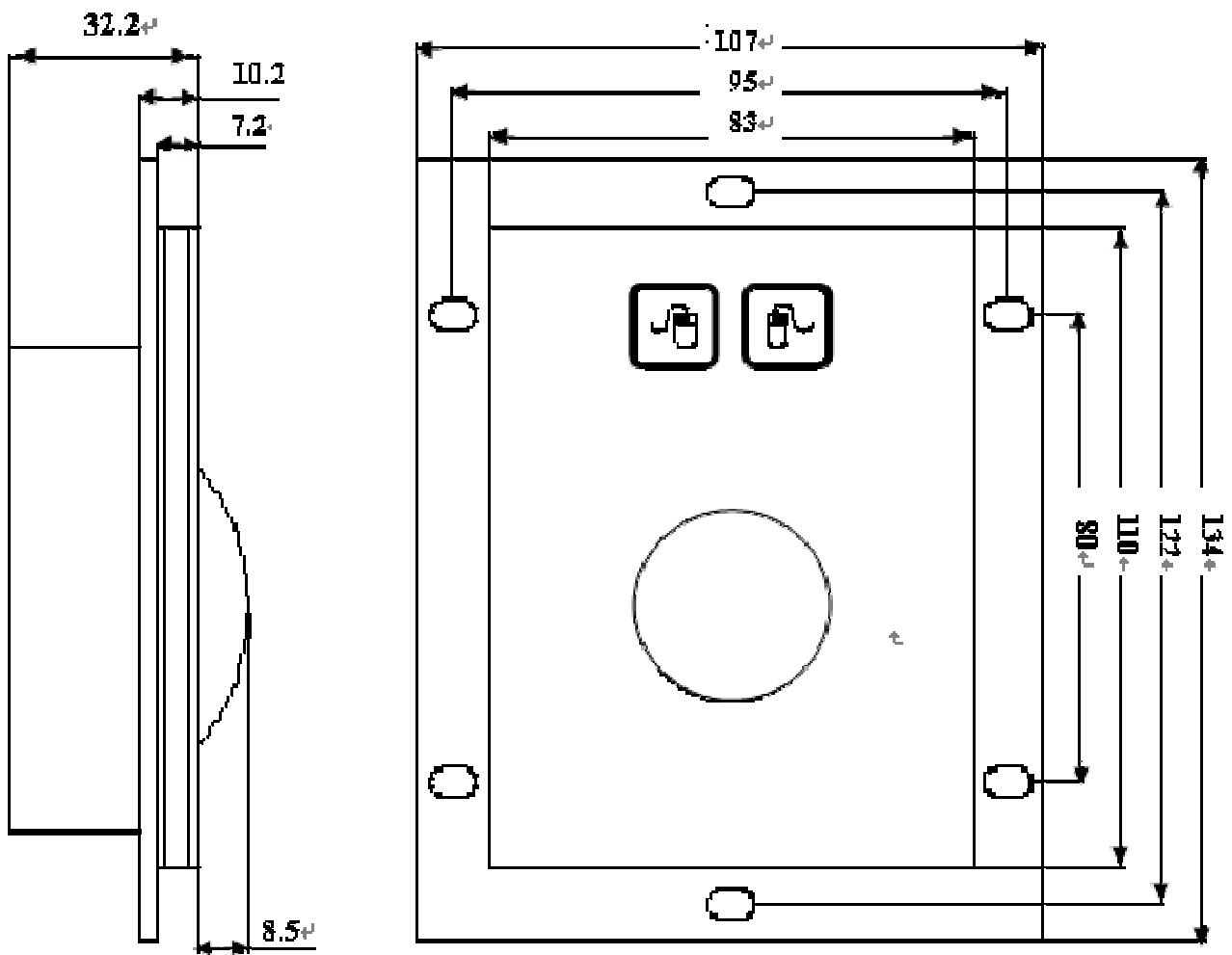
Product



Application Fields

- Self service kiosk
- Industrial PC system
- Medical & Food industry
- Gaming machine & Vending Machine
- Navigation & aviation
- CNC machine and other factory equipment





unit: mm